

Sunny Apex

100W Solar Module High Efficiency Back-Contact

- ☉ Sunny Apex's HOP series solar modules ranged from 35Watt to 155Watt
- Aesthetically using clear surface back-contact cells
- ☉ Cells with High conversion efficiency above 23%
- Anodized aluminum improving corrosion resistance
- ☉ Excellent performance under low light conditions

***Your best choice for off-grid solar application ! ***



Electrical Specifications

Model Type	SA-H100
Peak Power (Pmax)	100W
Module Efficiency	18.50%
Maximum Power Voltage (Vmp)	16.8V
Maximum Power Current (Imp)	5.9A
Open Circuit Voltage (Voc)	20.3V
Short Circuit Current (Isc)	6.6A
Power Tolerance	-5% / + 10%
Maximum System Voltage	70V
Normal Operating Cell Temp.	46 °C (+/- 2)

Mechanical Specifications

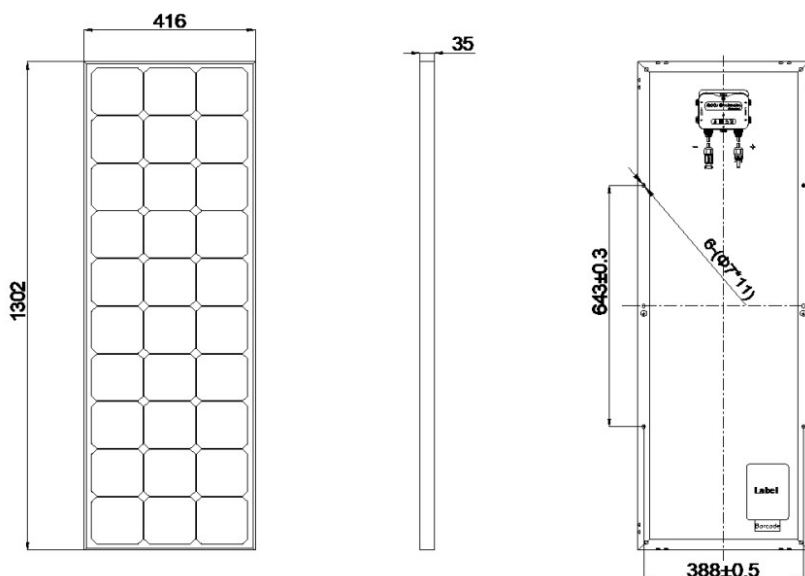
Cell type	Back contact high eff. Mono
Number of cells	30 cells in series
Weight	7.15kg [15.76lbs]
Dimensions	1302 x 416 x 35mm [51.30 x 16.39 x 1.38in]
Frame	> 15µm clear anodized aluminum
Junction Box	IP 65 waterproof
Cables	4.00mm ² , 900mm
Connectors	MC4 compatible

Temperature Coefficients

Power	-0.32%/ °C
Voltage	-1.8mV/ °C

Warranties & Certifications

Warranties	2 years product warranty, 20 years limited power warranty of 80% of the minimum specified power rating
Certificates	CE



Unit: mm [inch]

Note: All electrical parameters are rated at standard test conditions (irradiance of 1000W/m², AM 1.5G, cell temperature 77°F/25°C)

Caution: Read Safety and Installation Instruction before using this product.

2017 Sunny Apex Development Ltd. All right reserved. Specifications included in this datasheet are subject to change without notice.