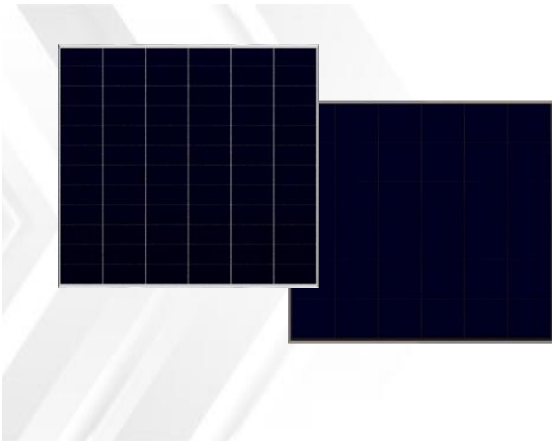


Sunny Apex



Features

- Aesthetically using clear surface back-contact cells
- Cells with High conversion efficiency above 24%
- N-type solar cell has no LID naturally
- Lower hot spot temperature, higher safety
- Lower shadow-blocking loss
- Better weak illumination response

Electrical Specifications

Model Type	SA-B080
Peak Power (Pmax)	80W
Module Efficiency	21.06%
Maximum Power Voltage (Vmp)	18.9V
Maximum Power Current (Imp)	4.24A
Open Circuit Voltage (Voc)	21.6V
Short Circuit Current (Isc)	4.48A
Power Tolerance	-5% / + 10%
Maximum System Voltage	600V
Normal Operating Cell Temp.	46 °C (+/- 2)

Mechanical Specifications

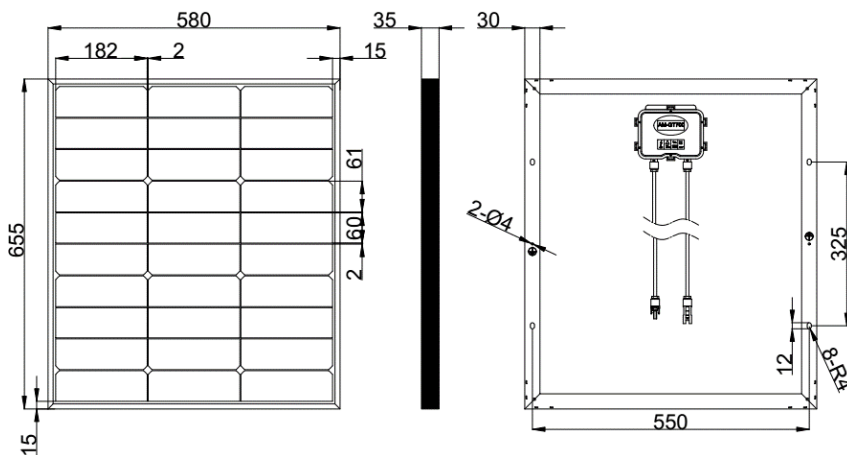
Cell type	IBC
Number of cells	total 30 cells in series
Weight	4.5kg [9.92lbs]
Dimensions	655 x 580 x 35mm [25.79 x 22.83 x 1.38in]
Frame	> 15 μ m clear anodized aluminum
Junction Box	IP 65 waterproof
Cables	4.00mm ² , 900mm
Connectors	MC4 compatible

Temperature Coefficients

Power	-0.290%/°C
Voltage	- 0.230%/°C
Current	+0.050%/°C

Warranties & Certifications

Warranties	2 years product warranty, 25 years limited power warranty of 80% of the minimum specified power rating
------------	--



Unit: mm [inch]

Note: All electrical parameters are rated at standard test conditions (irradiance of 1000W/m², AM 1.5G, cell temperature 77°F/25°C)

Caution: Read Safety and Installation Instruction before using this product.

2024 Sunny Apex Development Ltd. All right reserved. Specifications included in this datasheet are subject to change without notice.